



HECKLER & KOCH

NO COMPROMISE

HK 416 A5

GAS AIRSOFT / cal. 6 mm

powered by **UMAREX** www.umarex.com

UMAREX HOLDS THE WORLDWIDE EXCLUSIVE
HK-TRADEMARK AND EXTERIOR DESIGN COPY
LICENSE FOR USE WITH THIS PRODUCT, GRANTED
BY HECKLER & KOCH GMBH.



EN Operating instructions 2 - 8 | **DE** Bedienungsanleitung 9 - 15

FR Mode d'emploi 16 - 22 | **ES** Manual de instrucciones 23 - 29



SAFE GUN HANDLING

EN



DESCRIPTION



OPERATION



MAINTENANCE



SAFETY INSTRUCTIONS

You should be fully familiar with the proper and safe handling of your gun. The basic principles of gun safety require you to always apply the following rules when handling the firearm.

- Always treat a gun as if it was loaded.
- Always put the safety of a gun to “safe” when loading it so that there can be no unintentional discharge.
- Keep your finger away from the trigger. It should be straight and should rest on the trigger guard.
- Only use the kind of projectiles suitable for your gun.
- Always keep the muzzle pointed in a safe direction.
- This gun may only be discharged in your own house, on authorized shooting ranges and inside enclosed private property. It is to be made sure that no projectile can leave the enclosed property.
- Keep the danger area of the projectile in mind.
- Never transport a loaded gun. Only load your gun when you intend to fire it.
- Never aim your airgun at persons or animals. Avoid ricochets. Never fire at smooth, hard surfaces or water.
- Before you discharge your gun, make sure that target and surrounding area are safe.
- Always make sure that the gun is not loaded when you transport it or take it from another person.
- Make sure that you always have full control over the muzzle of your gun, even if you stumble or fall down.
- Safety shooting glasses should always be worn when firing the gun.
- Always store your gun in a safe place and in unloaded condition. Unauthorized persons (persons not familiar with the use of guns, children) must not have access to it. Ammunition is to be kept in a separate place.
- This gun and its instruction manual may only be passed on to persons
 - who are fully familiar with its use and
 - who have reached the legally stipulated minimum age in the respective country.
- Modifications or repairs of guns are only to be effected by authorized agencies or by a skilled gunsmith.
- Never leave a loaded gun unattended.
- Only unloaded guns are to be handed over to another person.

REPAIR

A gun that does not work properly is dangerous. Do not attempt to repair this pistol if it needs service. Incorrect assembly could lead to dangerous malfunctions.

Caution: Repairs should only be completed by Umarex authorized centres.



SAFETY INSTRUCTIONS | WARRANTY



CAUTION

For your own safety and the safety of others, carefully read these instructions before using this gun. Buyers and owners must observe all rules concerning the use and ownership of air guns. Modifying this gun may result in a change of its classification under guns law and is therefore prohibited. In such cases the manufacturer's warranty will immediately become void.



WARNING

Do not brandish or display this airgun in public - it may confuse people and may be a crime. Police and others may think this airgun is a firearm. Do not change the coloration and markings to make it look more like a firearm. That is dangerous and may be a crime.

WARRANTY

During the legal warranty period, which begins on the date of purchase, Umarex will repair or replace your gun at no charge provided the defect was not caused by you. Return your gun to an authorized dealer along with a description of the problem and proof of purchase.

The air guns manufactured by Umarex GmbH & Co. KG are made according to the regulations of the PTB (Physikalisch-Technische Bundesanstalt), German federal law, the CIP regulations and the technical know-how of Umarex GmbH & Co. KG.

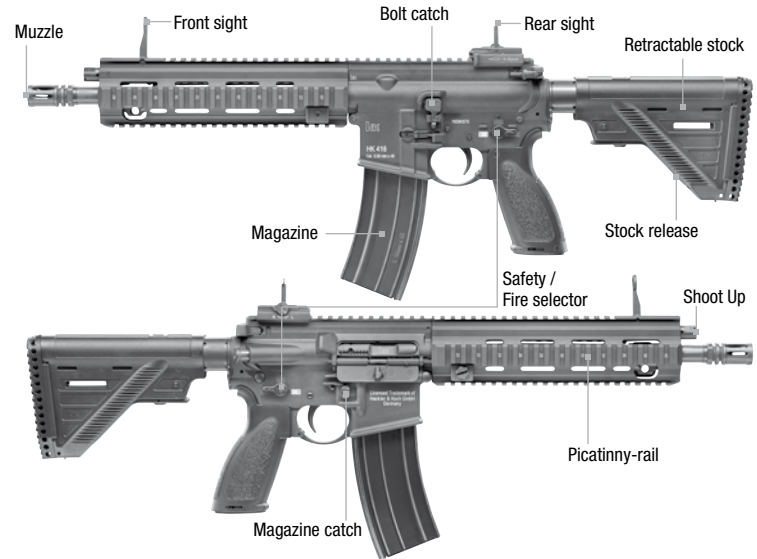
We will not assume any liability whatsoever if this product is exported to territories outside of Germany and as a consequence does not comply with domestic legal requirements of these territories. It will be the sole responsibility of the importer to ensure compliance with local laws and regulations.

TECHNICAL DATA

Item no.	2.6383	2.6383X	2.6384	2.6384X
System	Gas Airsoft			
Caliber / Ammo	6 mm BBs			
Capacity	30 rounds (BBs)			
Energy	1,6 J	1 J	1,6 J	1 J
Velocity	up to 130 m/s with 0,2 g BB	up to 100 m/s with 0,2 g BB	up to 130 m/s with 0,2 g BB	up to 100 m/s with 0,2 g BB
Drive	Semi-Auto	Full-Auto	Semi-Auto	Full-Auto
Rate of fire	-	800 rpm	-	800 rpm
Color	Schwarz		RAL8000	
Safety	manual			
Barrel length	325 mm			
Dangerous area up to	250 m	150 m	250 m	150 m
Weight	2906 g			
Length	710-790 mm			



DESCRIPTION





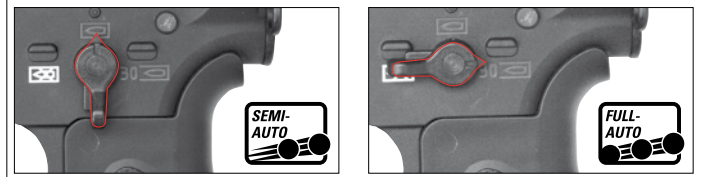
SAFETY

! CAUTION

- Only handle your gun in its safe condition.
- Always make sure that the muzzle points in a safe direction.



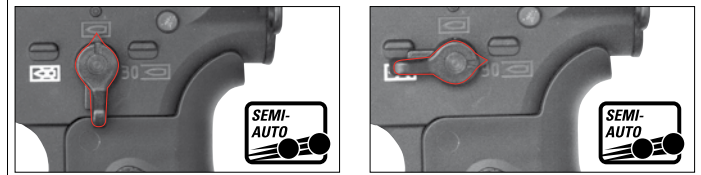
Full-auto-version 2.6383X, 2.6384X



! CAUTION

Please also always observe the legal regulations effective in your country for the use of arms.

Semi-auto-version 2.6383, 2.6384



SHOOTING

EN

! CAUTION

Please do not switch the fire selector while pulling the trigger. This causes severe damage to your gun.



1. Adjust the fire selector
2. Pull trigger



PROBLEM SOLUTIONS



PROBLEMS

- Faulty shooting direction
- Gun does not shoot
- Low shooting speed

POSSIBLE CAUSES

	Safety activated	Cock the magazine again	Gas / Magazine empty	Dirty barrel	Extreme temperatures	Wrong ammunition	Ammunition badly loaded	Sight not properly adjusted	
Faulty shooting direction				●	●	●	●	●	
Gun does not shoot	●	●	●			●	●		
Low shooting speed				●	●	●	●		

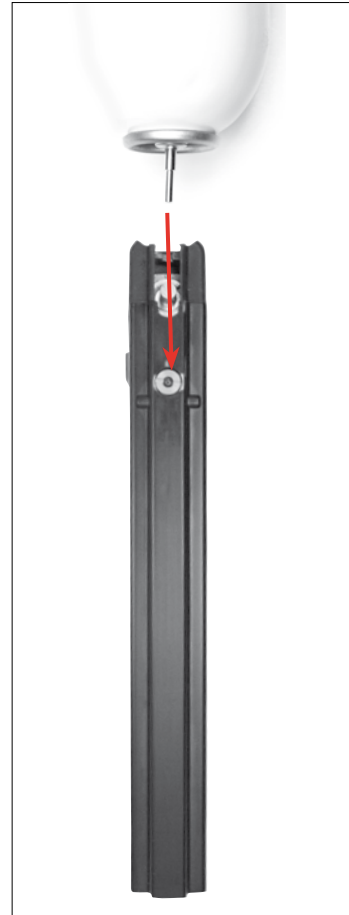


CHARGING OF GAS

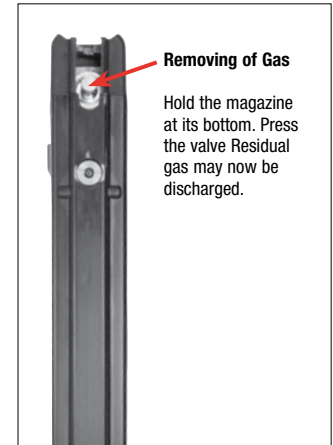
EN

CAUTION

- Keep hands and face at a safe distance from the escaping gas.
- Escaping gas may cause icing.
- Gas may explode if exposed to temperatures exceeding 50°C.
- Do not smoke, keep away from naked flames. The gas is highly inflammable.



Keep the magazine with gas tank tilted. Attach the gas flask vertically to the charging port of the magazine. Press the flask against the port. The magazine is fully charged when you observe a discharge of gas from the port.





LOADING THE MAGAZINE

EN

CAUTION



Only use flawless BBS. Never use the following BBS: 1 diameter larger than 6mm, 2 with edges, 3 both halves not aligned, 4 used, soiled. Warranty expires if non-recommended BBs are used. It's recommended to use precision BBs from Umarex/Walther. To ensure proper operation of the magazine, protect it from dirt and dust.

6 mm AIRSOFT

WEIGHT 0,2 g BB

WEIGHT 0,25 g BB



Press the magazine catch.

2. Remove the magazine.

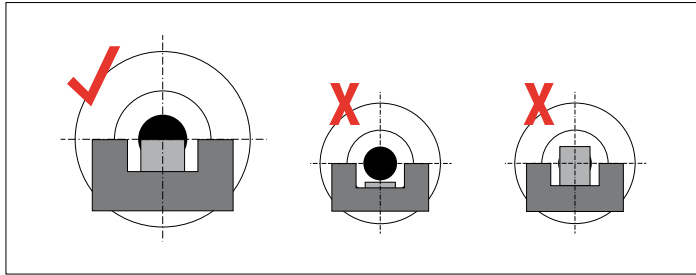


Click

7. Insert the magazine.



SIGHTS



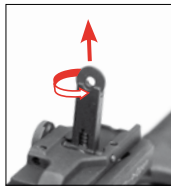
ADJUSTABLE SHOOT UP

EN



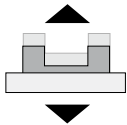
ADJUSTABLE REAR SIGHT

Height adjustment



1. Pull Rear sight

2. Turn Rear sight



Shots are too high



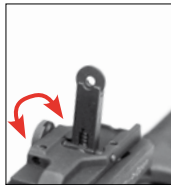
turn to the right

Shots are too low



turn to the left

Windage adjustment



Shots are left of center

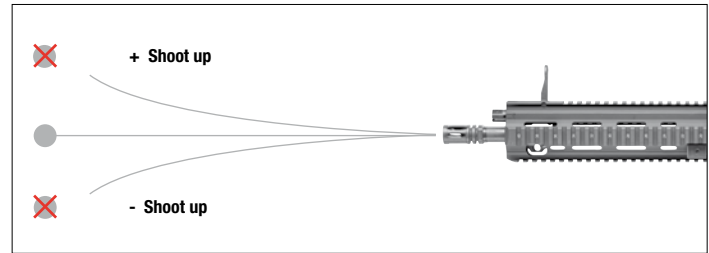


turn to the right

Shots are right of center



turn to the left



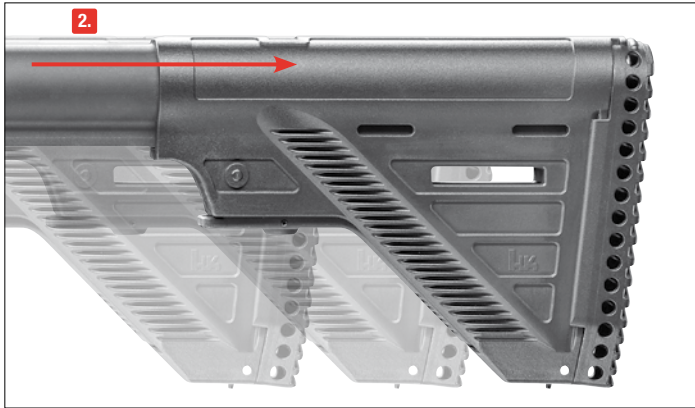
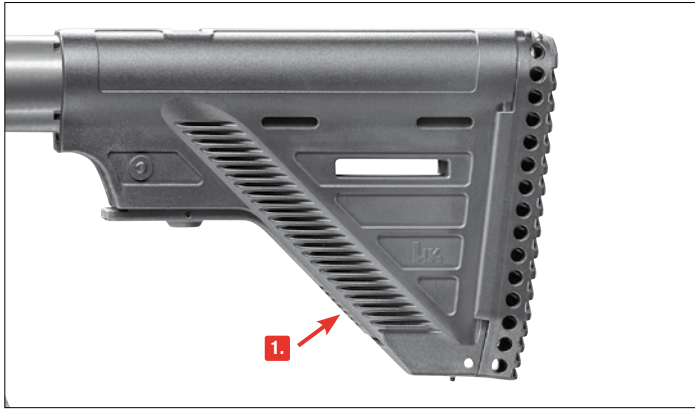
+ Shoot up



- Shoot up



STOCK



- 1. Press
- 2. Pull

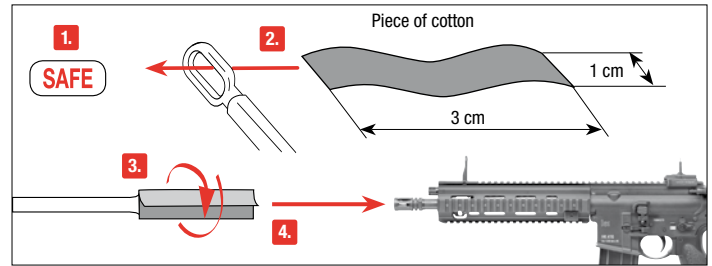


BARREL CLEANING

EN

⚠ CAUTION

- Unload the gun before cleaning the gun.
- Do not force the rod into the barrel, as this could cause damage.
- Occasionally clean the metal parts on the outside. Use a cloth which has been slightly dampened with some gun oil.
- Never drip silicone oil directly into the barrel.



Put the safety on "safe". Prepare a thin rod with a length of approx. 30 cm. Attach a piece of cotton fabric to its end and clean the barrel with some silicone oil.